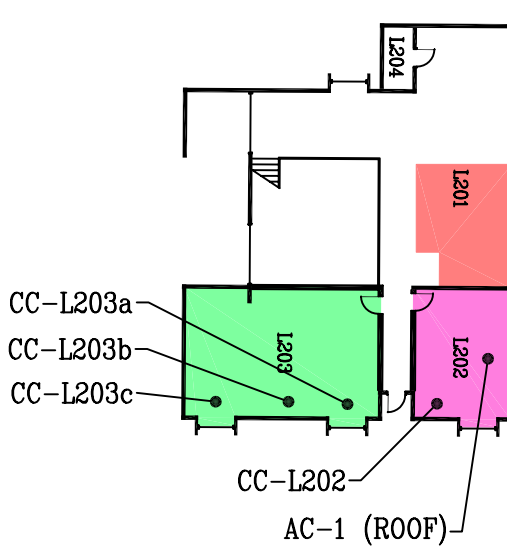


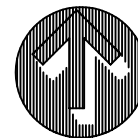
FIRST FLOOR LOUNGE

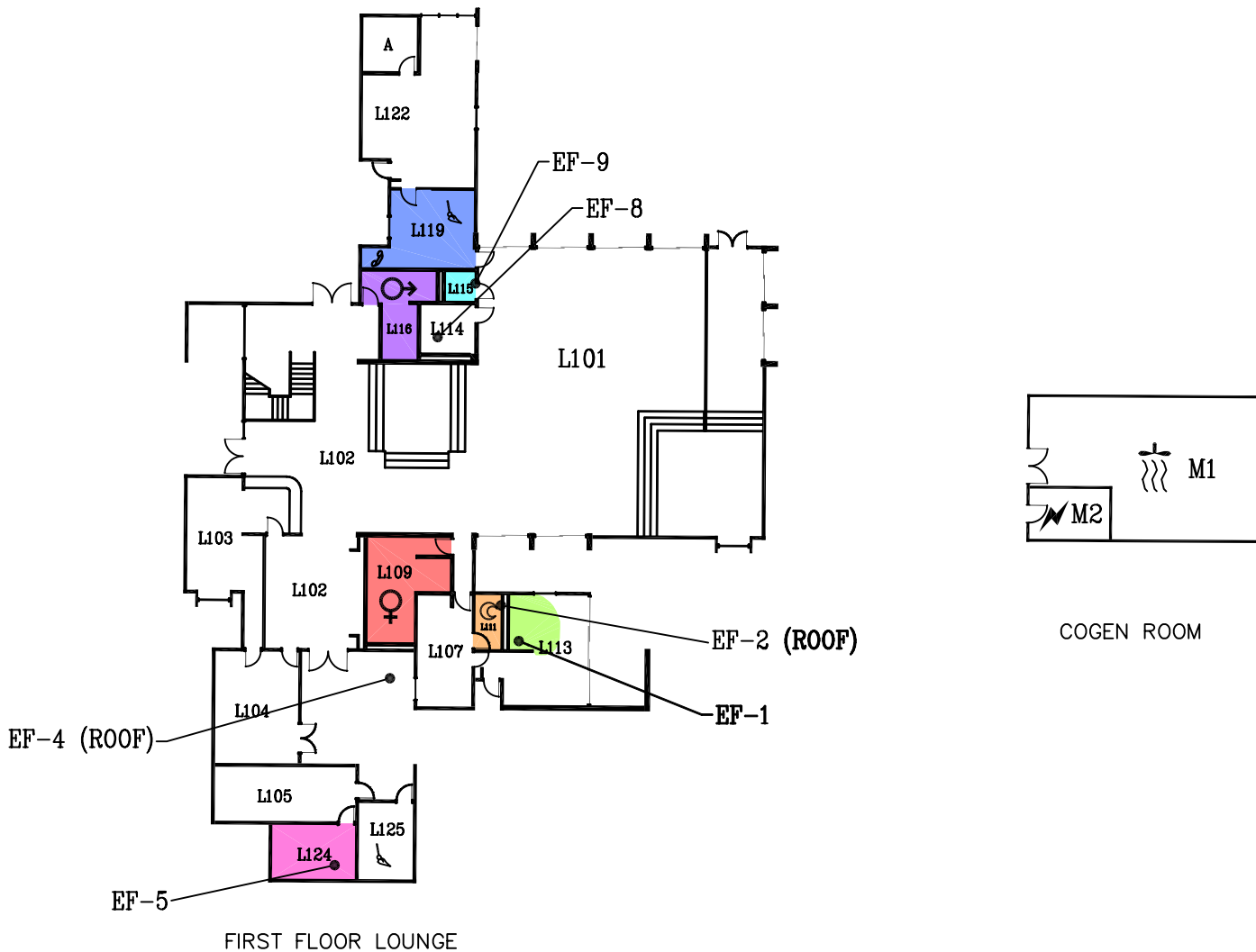
HEATING ZONES

- EH-1
- EH-2
- FC-1
- UV-1,2,3
- AC-1
- SF-1
- CC-L203a,b,c
- CC-L202
- CC-L122a
- CC-L122b,c,d

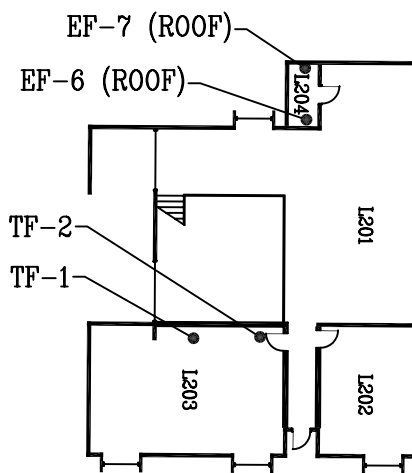


SECOND FLOOR LOUNGE





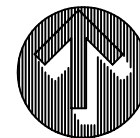
FIRST FLOOR LOUNGE

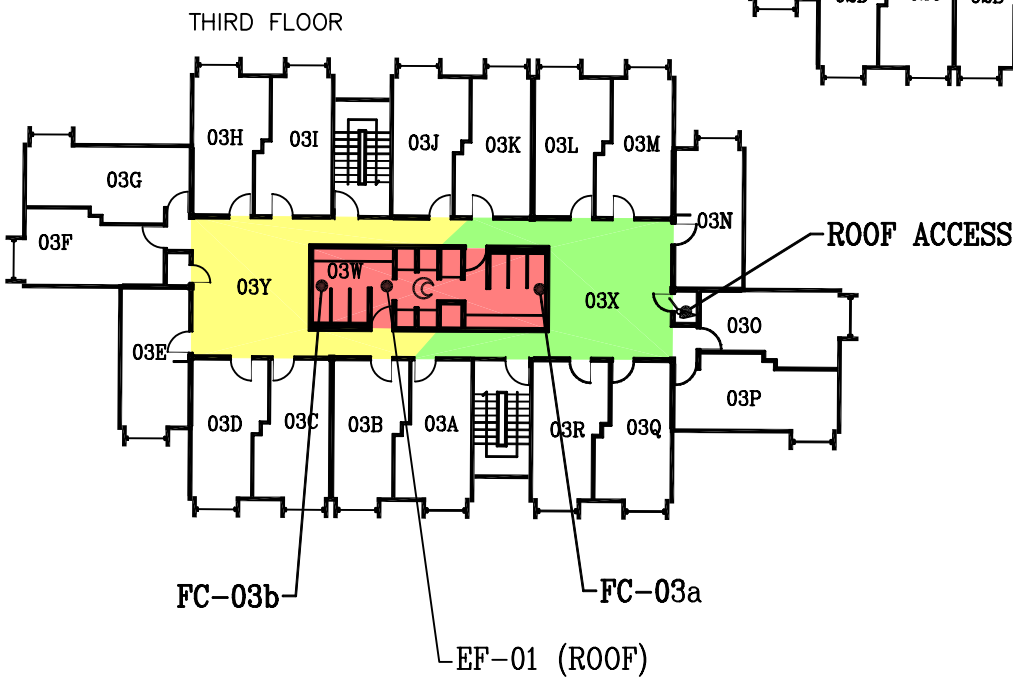
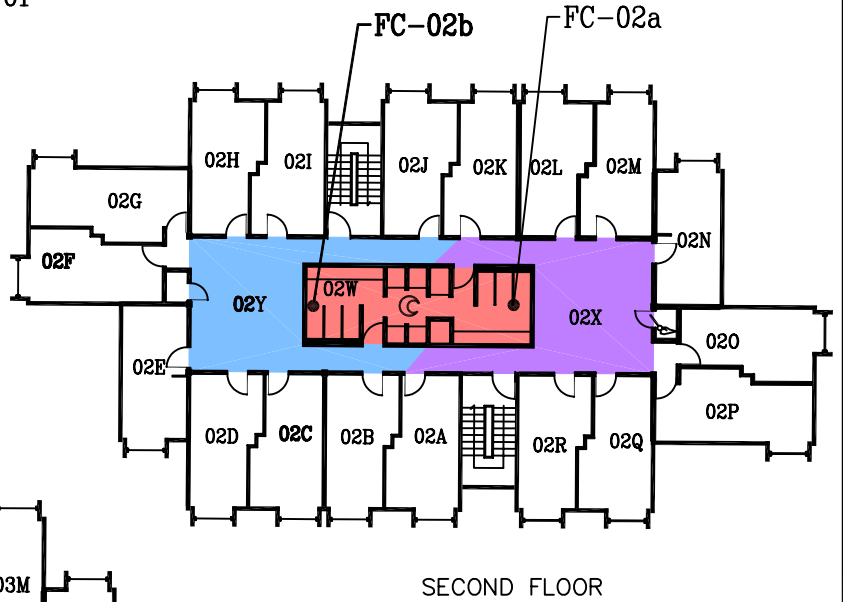
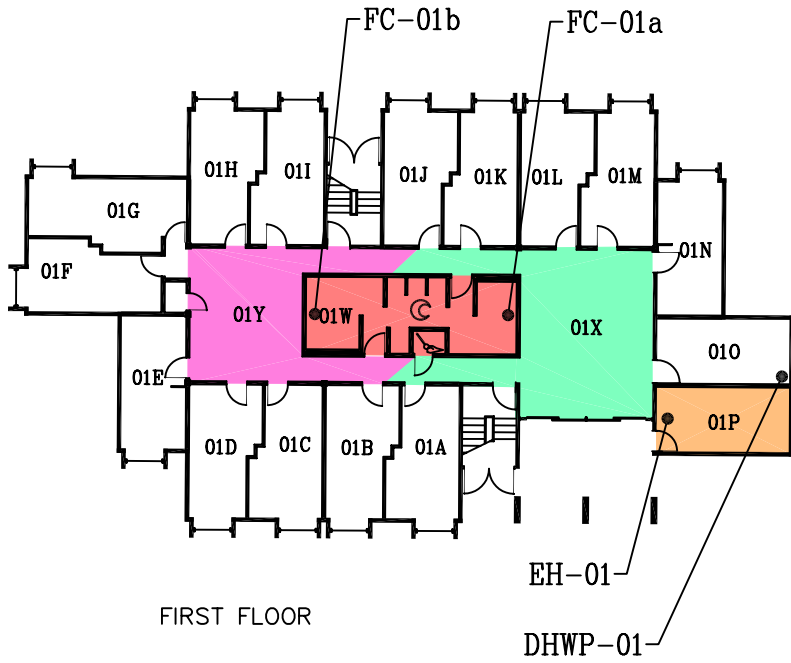


SECOND FLOOR LOUNGE

EXHAUST ZONES

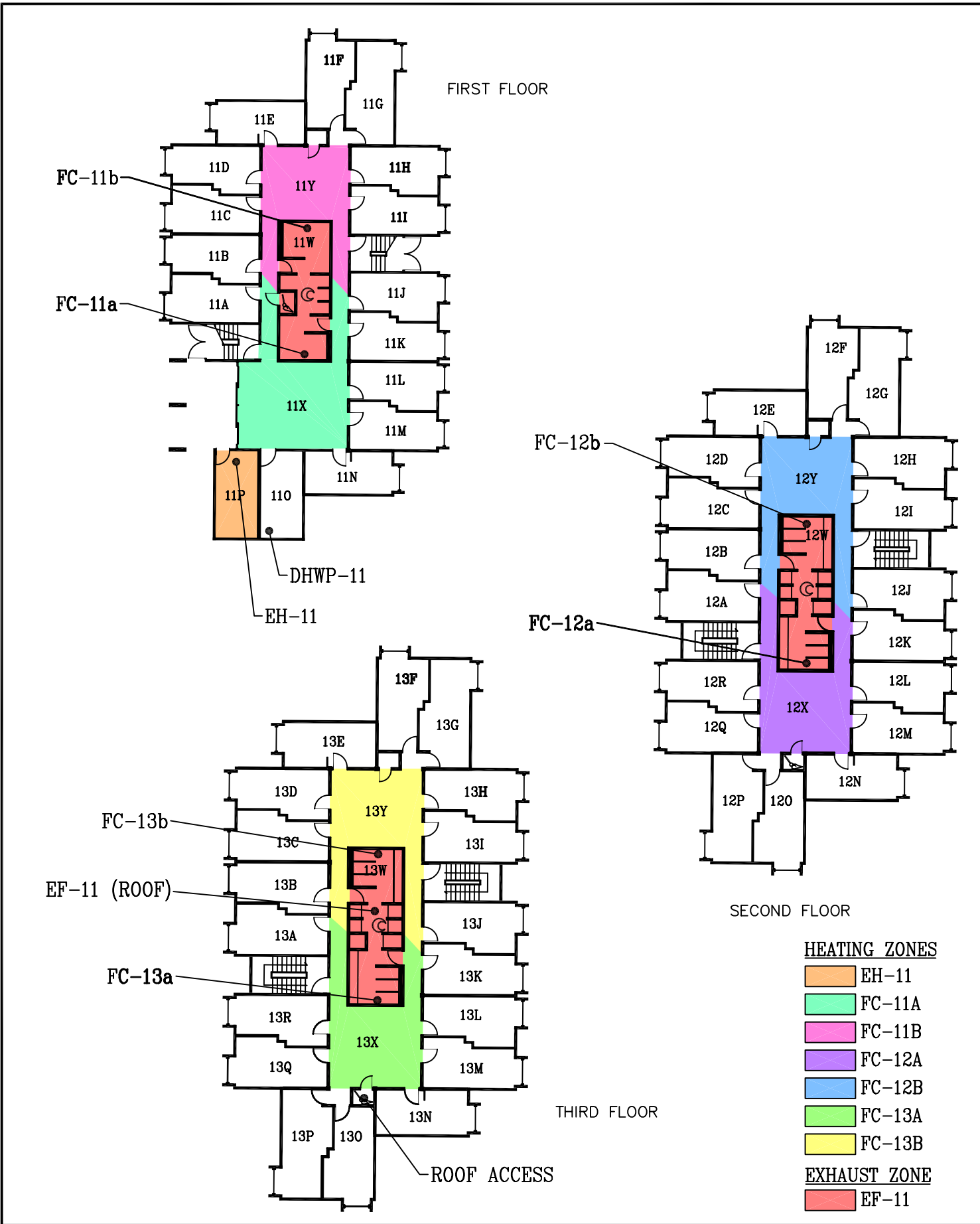
- EF-1
- EF-2
- EF-3
- EF-4
- EF-5
- EF-6
- EF-7
- EF-9





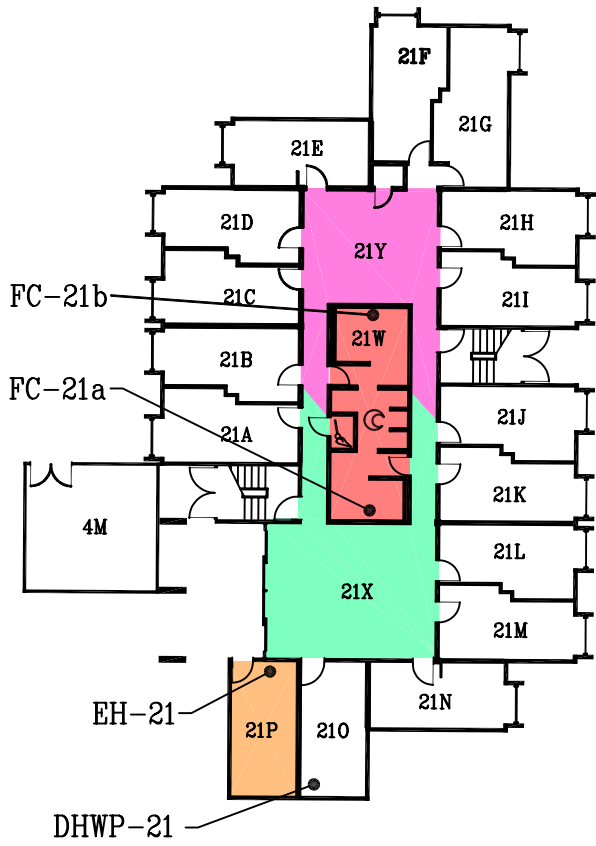
HEATING ZONES

- EH-01
 - FC-01A
 - FC-01B
 - FC-02A
 - FC-02B
 - FC-03A
 - FC-03B
- EXHAUST ZONE**
- EF-01

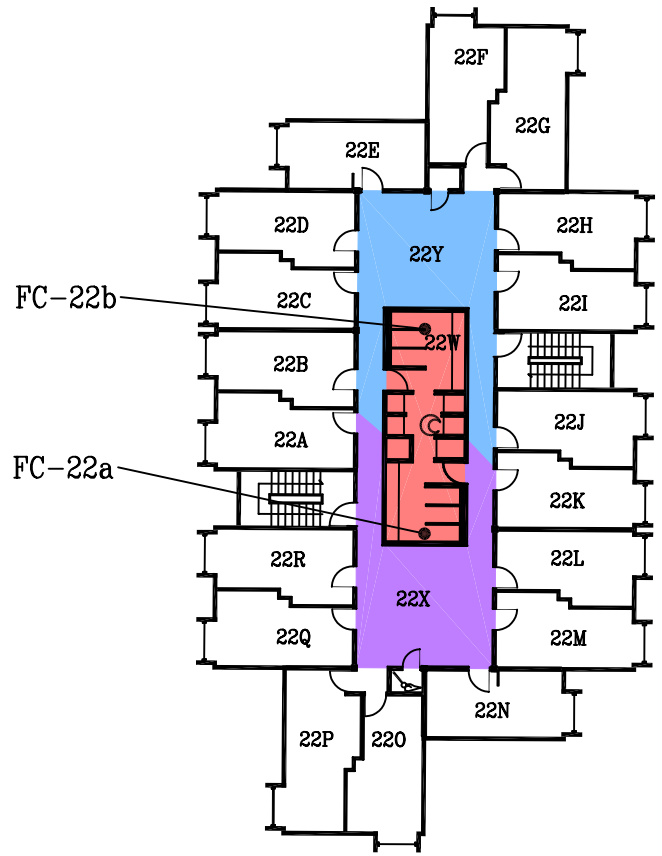


- HEATING ZONES**
- EH-11
 - FC-11A
 - FC-11B
 - FC-12A
 - FC-12B
 - FC-13A
 - FC-13B
- EXHAUST ZONE**
- EF-11

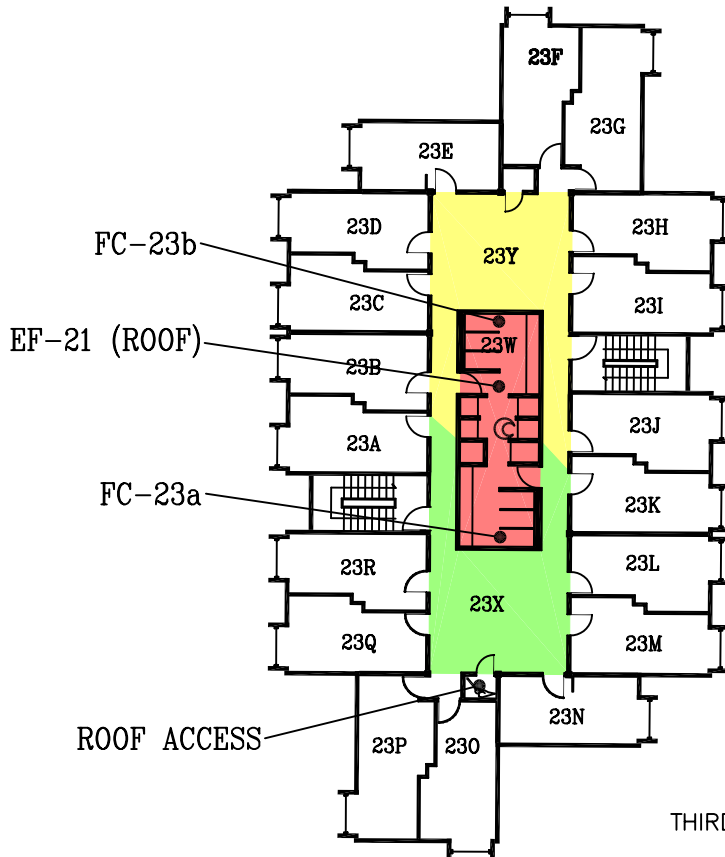
FIRST FLOOR



SECOND FLOOR



THIRD FLOOR

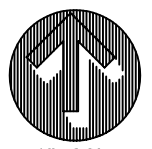


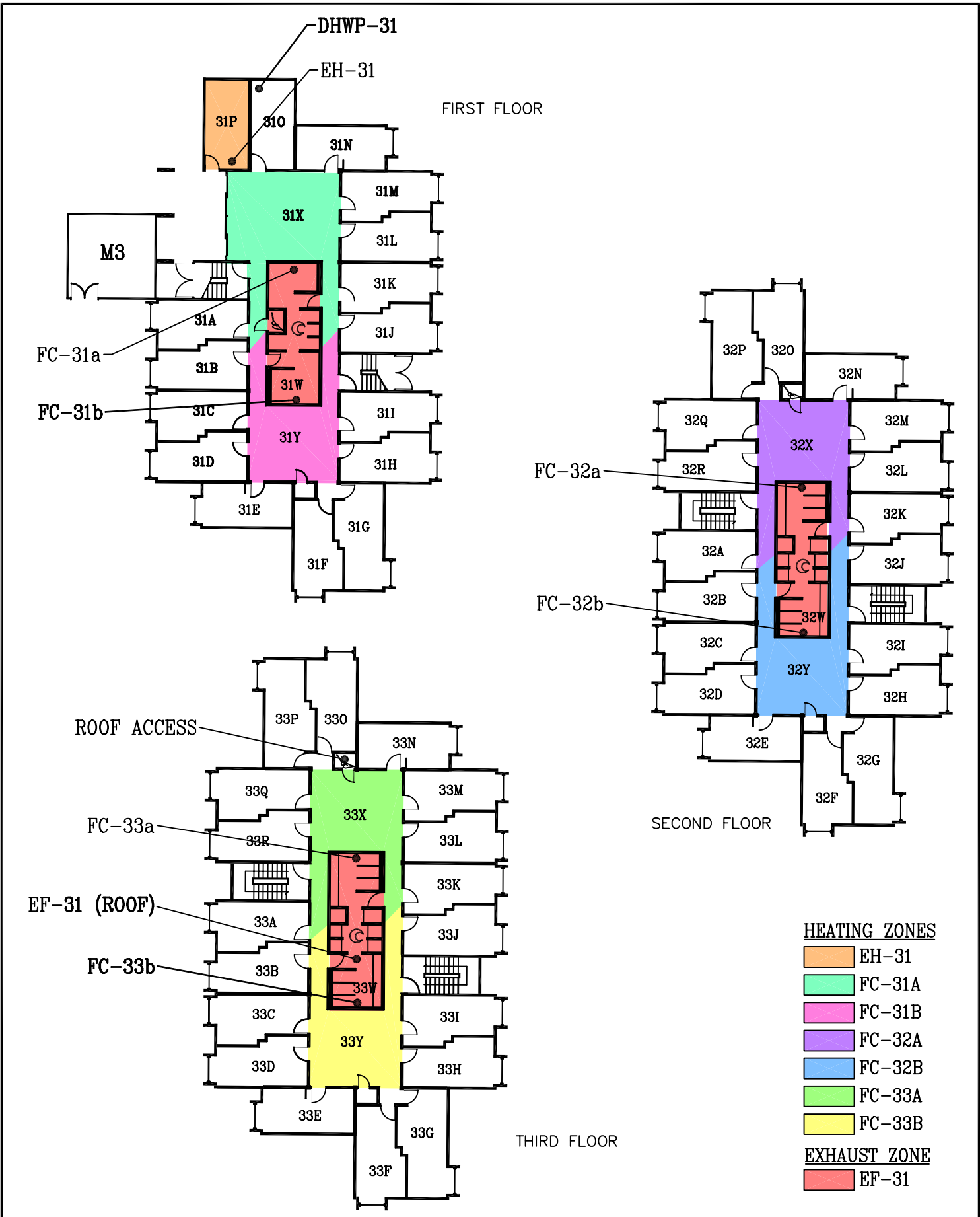
HEATING ZONES

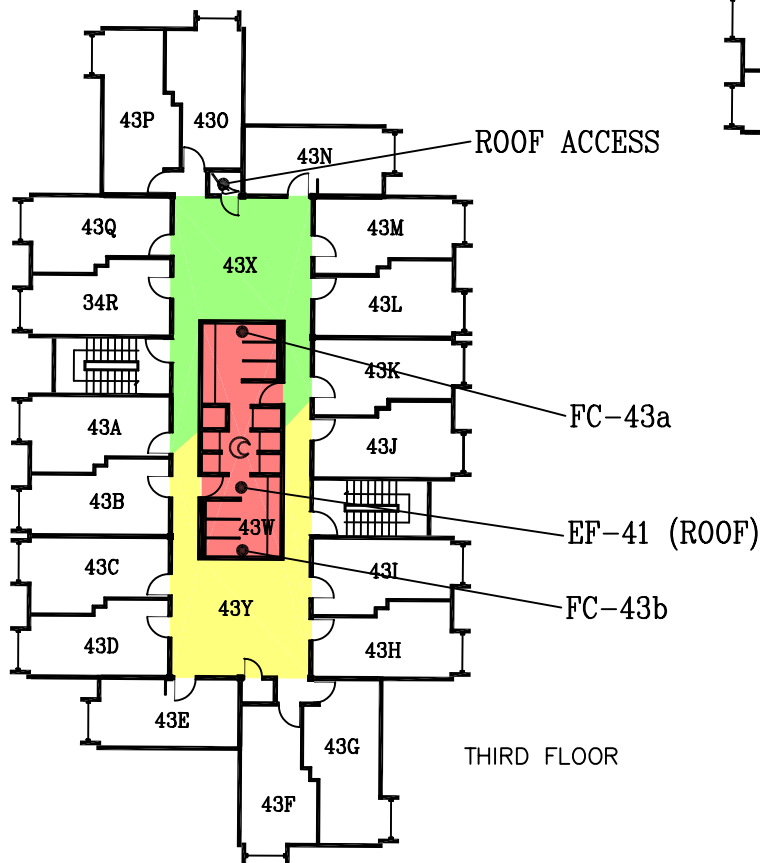
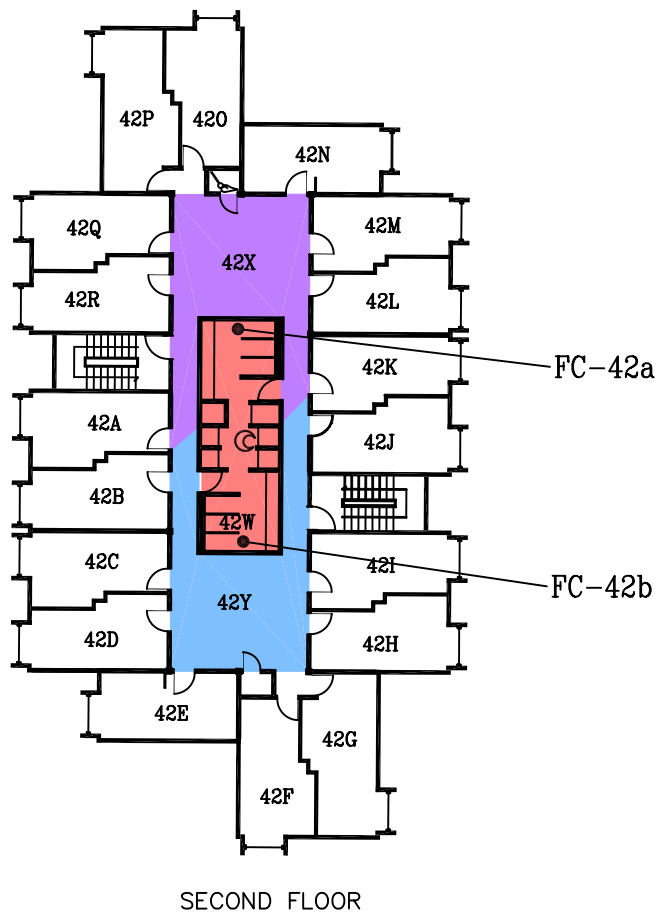
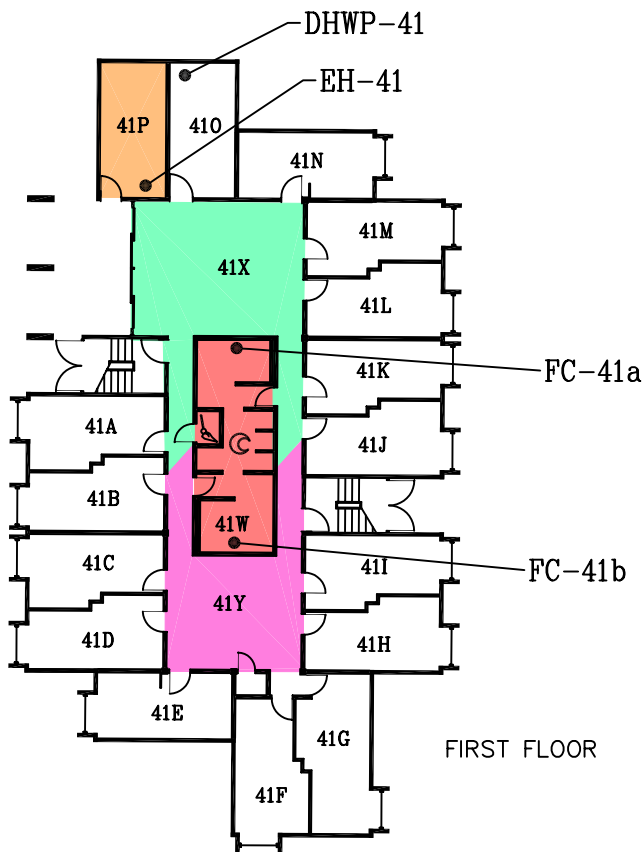
- EH-21
- FC-21A
- FC-21B
- FC-22A
- FC-22B
- FC-23A
- FC-23B

EXHAUST ZONE

- EF-21







HEATING ZONES

- EH-41
 - FC-41A
 - FC-41B
 - FC-42A
 - FC-42B
 - FC-43A
 - FC-43B
- EXHAUST ZONE**
- EF-41

