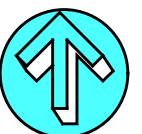
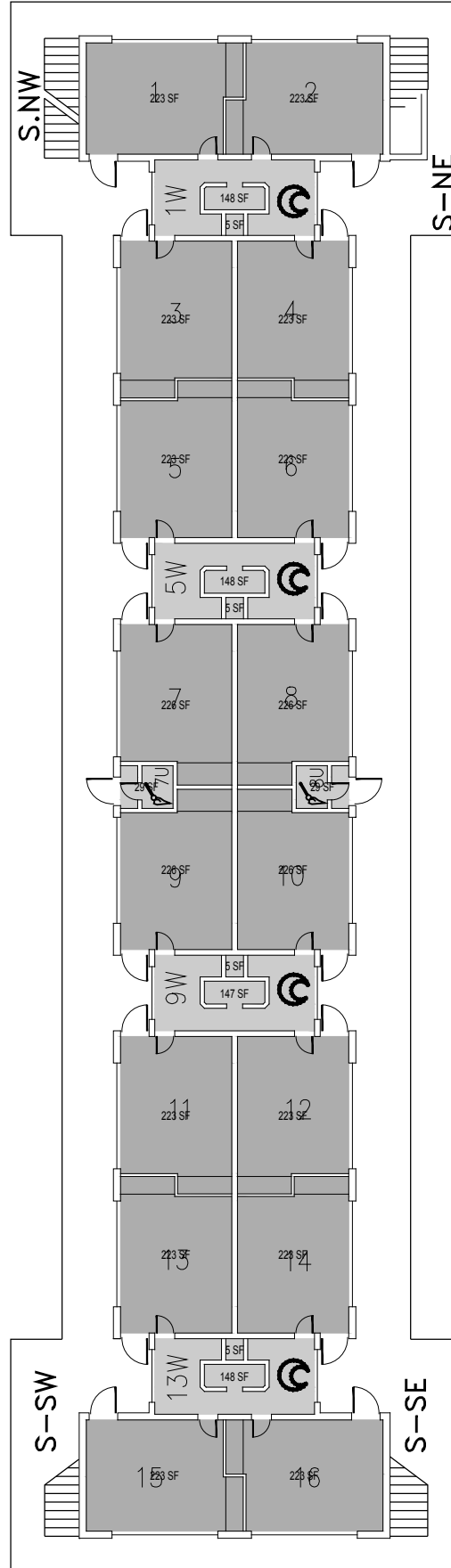
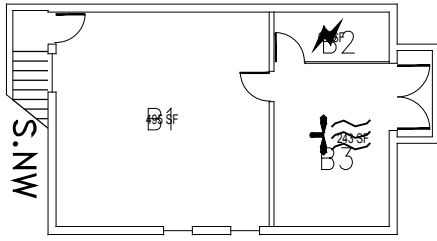
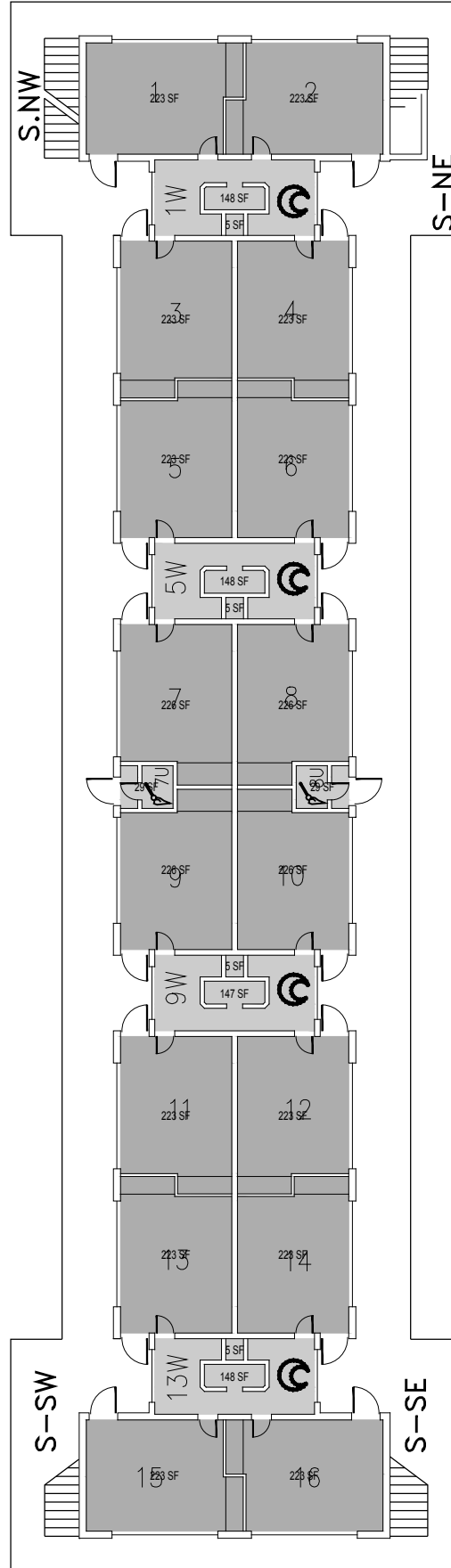


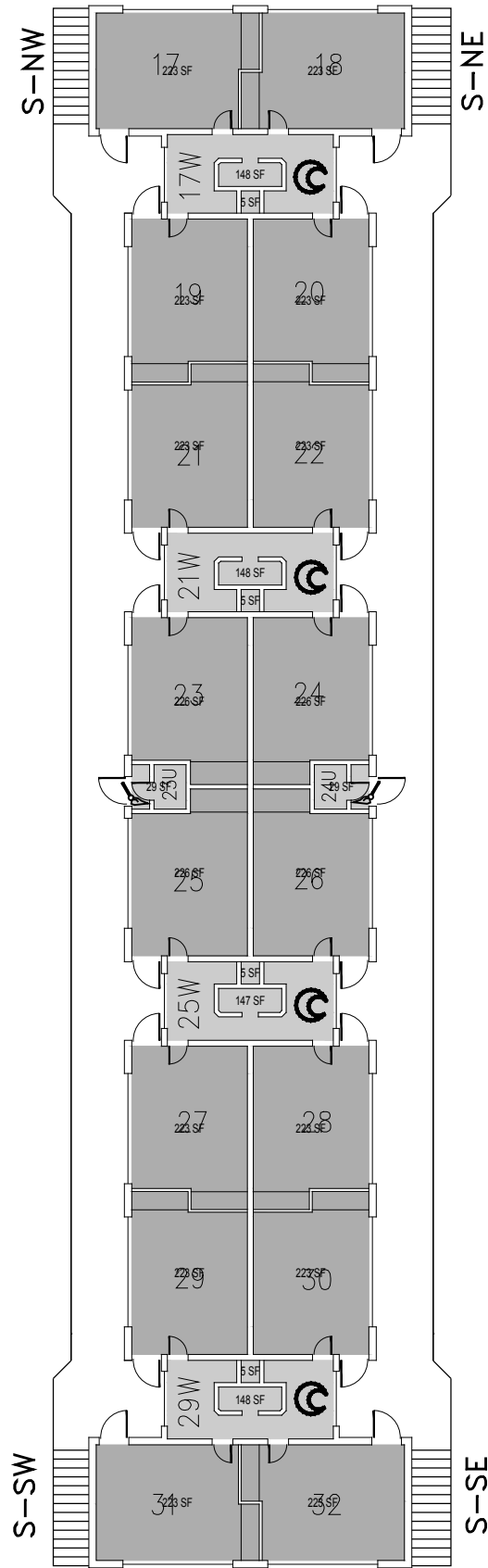
BASEMENT





BASEMENT





| | |
|---------|--------------|
| 100-0 | BLDG NUMBERS |
| | |
| 7/31/17 | |



