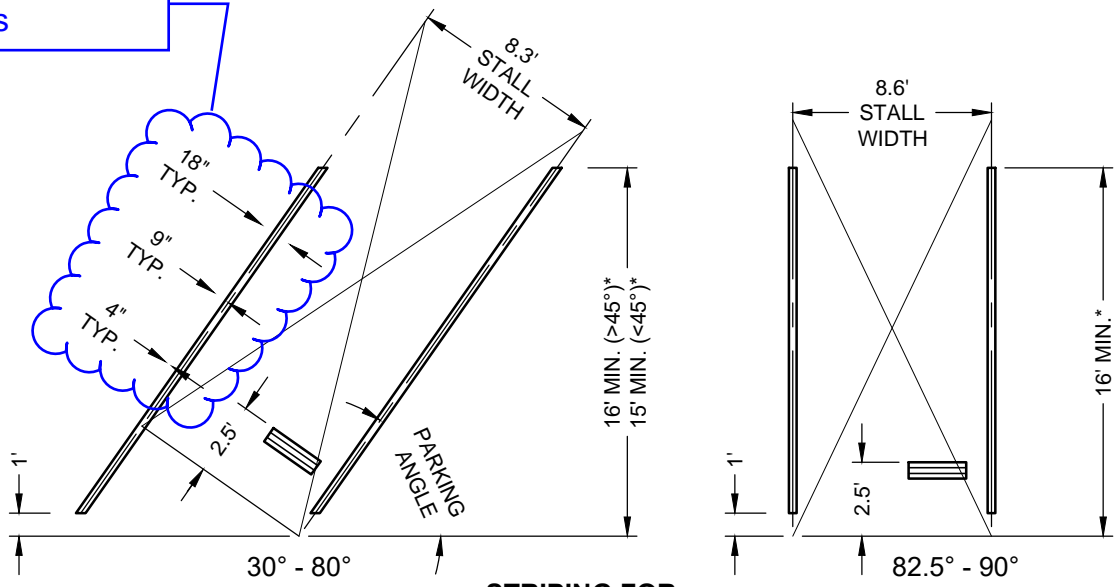
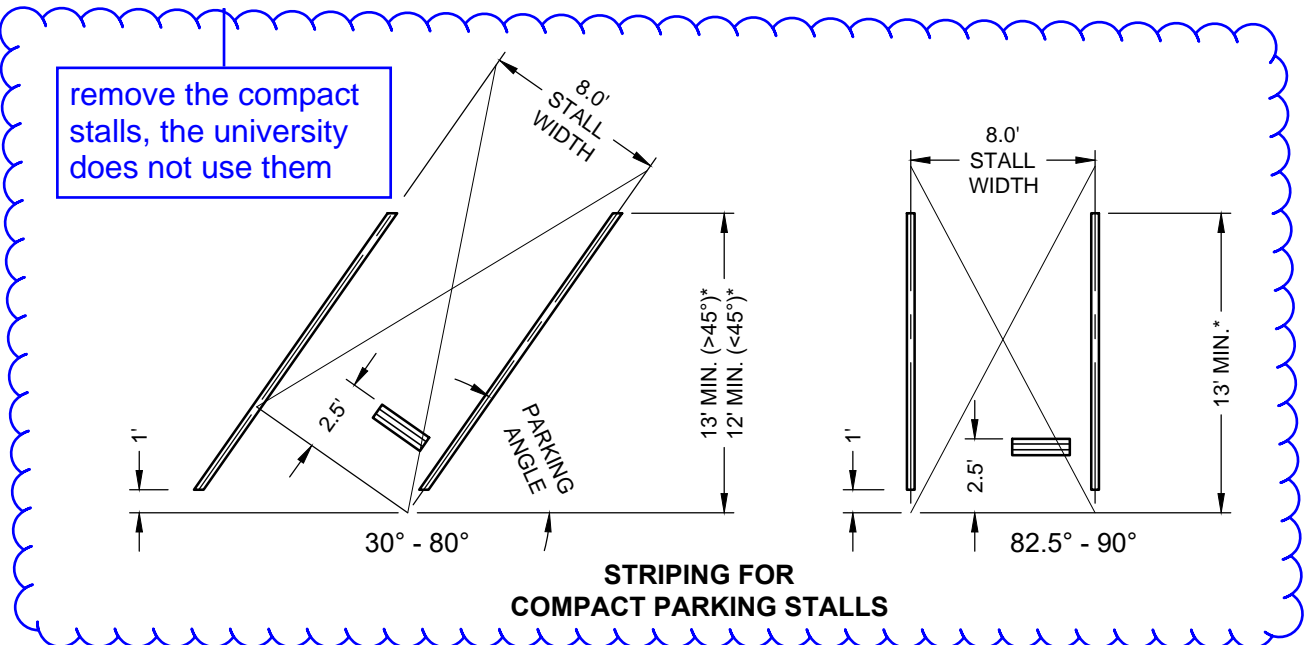


remove these dimensions



STRIPING FOR AVERAGE PARKING STALLS



STRIPING FOR COMPACT PARKING STALLS

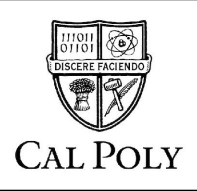
GENERAL NOTES:

- A. Wheelstop shall be located as shown, if required.

* THESE DIMENSIONS ARE TO BE USED ONLY FOR STRIPING AND NOT FOR PARKING LOT LAYOUT.

SCALE: N.T.S.

STANDARD CURRENT AS OF:	10/21/2019
APPROVED BY:	XX
NOTES:	



PARKING LOT STRIPING