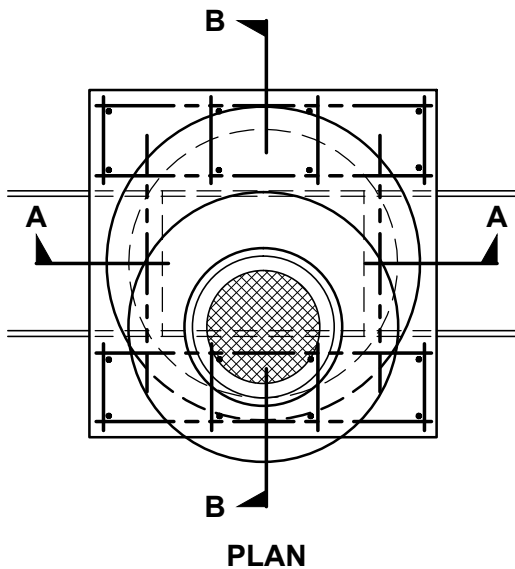


SECTION A-A

SECTION B-B



PLAN

INSTALLATION NOTES:

- ① Manhole cover and frame shall be Phoenix P-1090, S.B. Foundries 1900, or equal, lettered "Storm Sewer".
- ② Collar shall be constructed per Engineering Standard 6040.
- ③ Adjusting rings as needed, grouted on the inside.
- ④ Steps are required when depth exceeds 4' and shall be steel-reinforced polypropylene per ASTM C-478, MA Industries PS-2-PFS, or equal.
- ⑤ Precast shaft(s) and eccentric cone per ASTM C-478. Straight side of cone shall be positioned over shelf. *Concentric cone may be used only with written approval of City Engineer.*
- ⑥ Joints shall be set with butyl rubber sealant - (RUB'R-NEK).
- ⑦ Manhole base shall be Class 2 PCC and rest on undisturbed material. Bottom shaft shall be wet-set or set in formed groove.
- ⑧ Pipe shall be laid through manhole and top portion shall be removed after base is poured. Trough shall have steel-trowel finish, vertical sides, and rounded corners. Top surface shall have 8.33% slope toward trough.
- ⑨ #4 @ 18" O.C.
- ⑩ #4 x 4' (2 total)
- ⑪ #4 x 5' (8 total)

SCALE: N.T.S.

STANDARD CURRENT AS OF: 01/21/2020

APPROVED BY: XX

NOTES:



CAL POLY

**STORM DRAIN
MANHOLE
18" to 36" PIPE**

3520