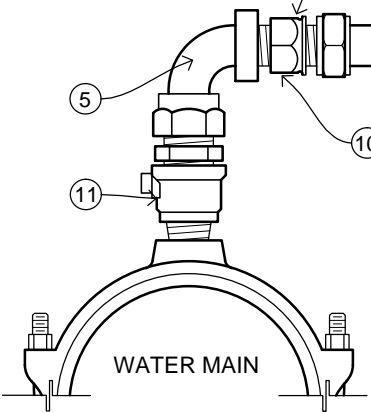


Connection plumbing to slope up towards Air Release Valve at minimum grade of 1%



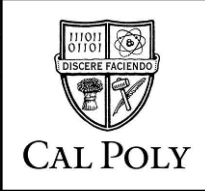
INSTALLATION NOTES :

- ① Crispin Universal Air Release Valve: Model UL10.1 (1"), UL20.1 (2"), UL30.1 (3"), UL40.1 (4") or approved equal.
- ② Nipple: Brass, short
- ③ Ball Valve: Jones J-1905
- ④ Nipple: Brass, 10". Protect from contact with two layers of 3-mil tape
- ⑤ Elbow: Brass, 90°
- ⑥ Cadmium plated bent bolts 1/2" dia. (typ. 3 places) with nuts
- ⑦ Angle: Galvanized steel 1 1/2" x 1 1/2" x 1/4", 2" long (typ. 3 places)
- ⑧ Copper Tubing: Type K, soft. Encase in purple recycled water polyethylene warning sleeve when used for recycled water.

- ⑨ The assembly shall be set behind the sidewalk where adequate right-of-way exists and in all new developments. Where adequate right-of-way does not exist, the assembly should be set back behind the curb a minimum of 18". Where adequate space is not available between the assembly and the back of sidewalk to provide required ADA pass by clearance, approval of the location must be made by the University Engineer.
- ⑩ Coupling: Jones J2605SG or Mueller H-15428
- ⑪ Corporation Stop: Jones J-1944 or Mueller B-2996
- ⑫ Street Elbow: Galvanized
- ⑬ Nipple: 10" galvanized
- ⑭ Elbow: Galvanized
- ⑮ Nipple: 10" galvanized
- ⑯ 10 ga. steel, minimum wall thickness of tubing
- ⑰ Paint with zinc-oxide primer and 2 coats of Sherwin Williams Emerald Ice (SW 4069). Use Sherwin Williams Verve Violet (SW 6979) for recycled water.
- ⑱ Drill minimum of six (6) 1/2" diameter holes on circumference evenly spaced.
- ⑲ PCC Slab: 30" x 30" x 4" thick on a 4" Class 3 base
- ⑳ Attach Recycled Water Warning Tag and adhesive decal per Engineering Standard 8810 when used for recycled water.
- ㉑ One (1) #4 rebar hoop

SCALE: N.T.S.

STANDARD CURRENT AS OF:	01/21/2020
APPROVED BY:	XX
NOTES:	



AIR/VAC RELEASE VALVE ASSEMBLY
1" & 2"

6360