

REFER TO G-5 BOX DETAIL

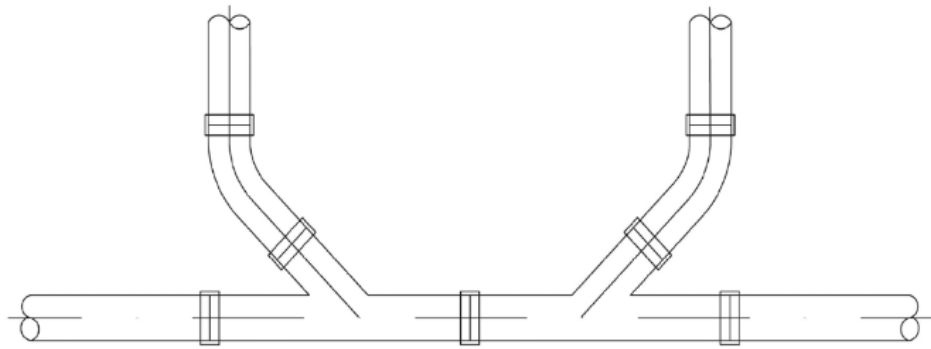
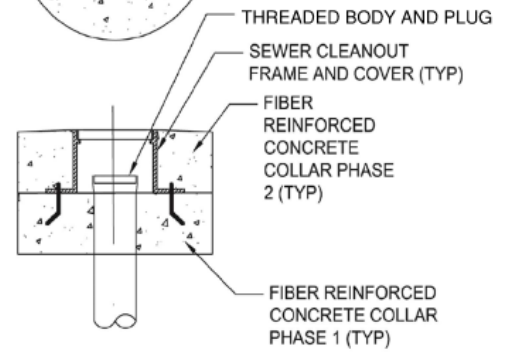
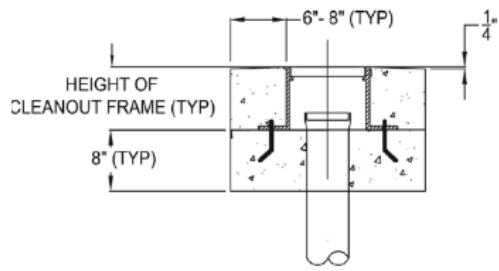


FIBER REINFORCED CONCRETE COLLAR BROOM FINISH (TYP)



CLEANOUT COVER (TYP)

Figure G



STANDARD FOR CONCRETE COLLAR FOR SEWER CLEANOUT IN NON PAVEMENT SURFACES  
N.T.S.

SCALE: N.T.S

STANDARD CURRENT AS OF: 01/01/2025

APPROVED BY: FMD

NOTES:



CAL POLY

STANDARD FOR CONCRETE COLLAR FOR SEWER CLEANOUT IN NON PAVEMENT SURFACES - DOUBLE CLEANOUT

6720