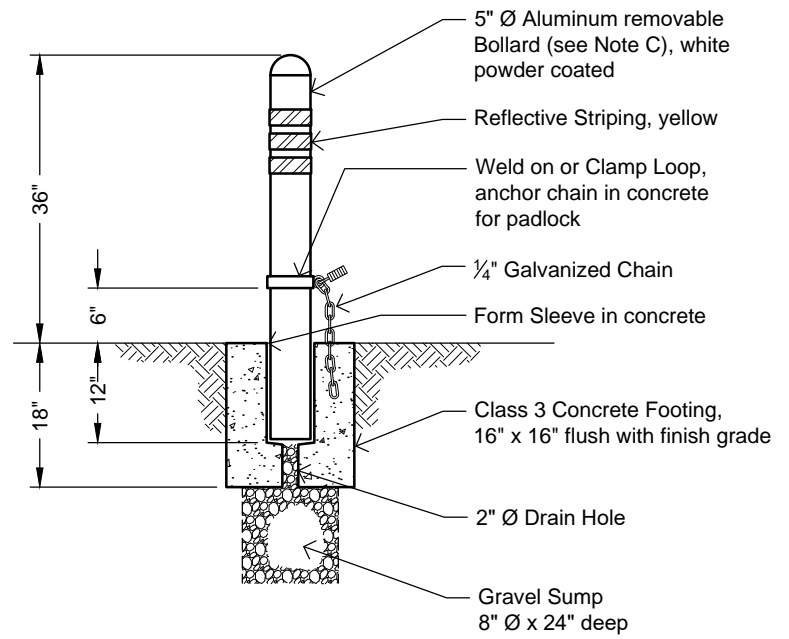


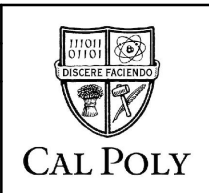
GENERAL NOTES:

- A. University provided Knox-box padlocks per City Fire Department.
- B. Provide 5' clear spacing between bollards (5'-3" O.C.)
- C. Use play booster by Landscape Structures Inc. distributed by Rec West (818) 735-3838, South Bay Foundry DFB-RA5 or approved equal.
- D. Engineers and architects are encouraged to submit alternate designs that are consistent with these design features, and the projects where the bollards are to be used.
- E. Yellow reflective tape shall be placed on each face of bollard as directed by University.
- F. For bicycling facilities, provide pathway striping that conforms to CA MUTCD.



SCALE: N.T.S.

STANDARD CURRENT AS OF:	10/19/2019
APPROVED BY:	XX
NOTES:	



REMOVABLE BOLLARD

7335