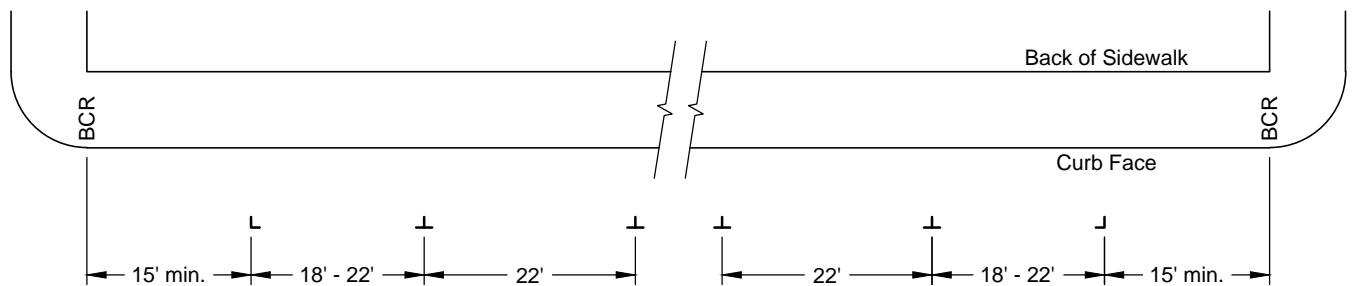
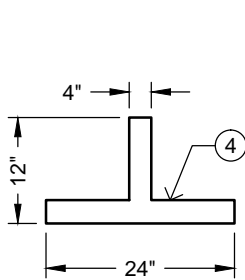


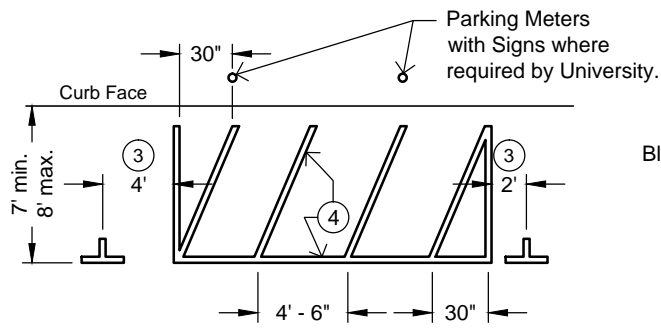
**CLEARANCES**



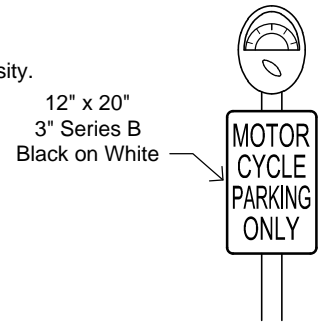
**SPACE LENGTH**



**TEE**



**MOTORCYCLE SPACES** (5)



**SIGN**

**INSTALLATION NOTES:**

- (1) CLEAR ZONE: Area which shall not contain tree well, sign, bike rack, trash receptacle, mail box, street light, or other obstruction to automobile doors or driver/passenger access.
- (2) These clearances apply at both ends of space.
- (3) All other clearance requirements shall be the same as for automobiles.
- (4) 4" White Traffic Paint
- (5) Minimum of two spaces, maximum of six spaces.

SCALE: N.T.S.

STANDARD CURRENT AS OF: 10/21/2019

APPROVED BY: XX

NOTES:



CAL POLY

**STREET PARKING**

7410